



Our Famous
GOOF PROOF Warranty

1546 **B-MB3**

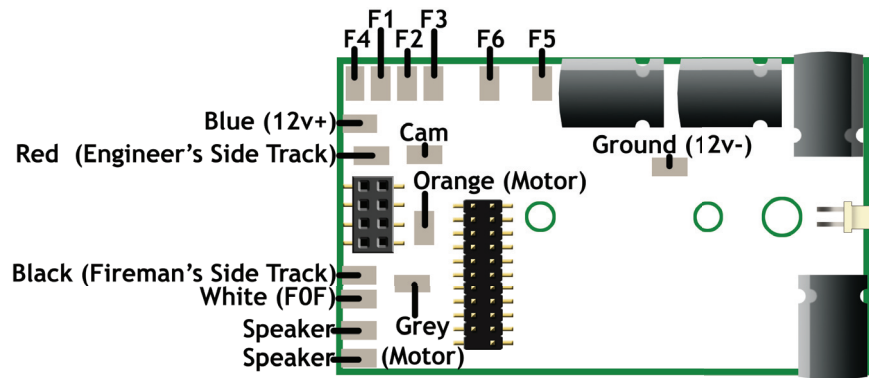
Scale	Pairs well with
HO	WOW121-Steam and EU621

Dimensions 2"x1.19"x.48" or 50.8mm x 30.2mm x 12.2mm

This motherboard is designed to replace the original lighting board in Bachmann steam engines including the 2-8-2. Included on this motherboard is a KA3 Keep-Alive™ for smooth operation over troublesome tracks and a rear LED light. Pair with a WOW121 for unparalleled sound and interruption free performance. Includes onboard resistors for LED's.

NOTE: This product does not function without a 21-pin decoder.

WIRING DIAGRAM



For full installation instruction visit the
http://www.tcsdcc.com/HO_Installs



1546 **B-MB3**



Our Famous
GOOF PROOF Warranty

1546 **B-MB3**

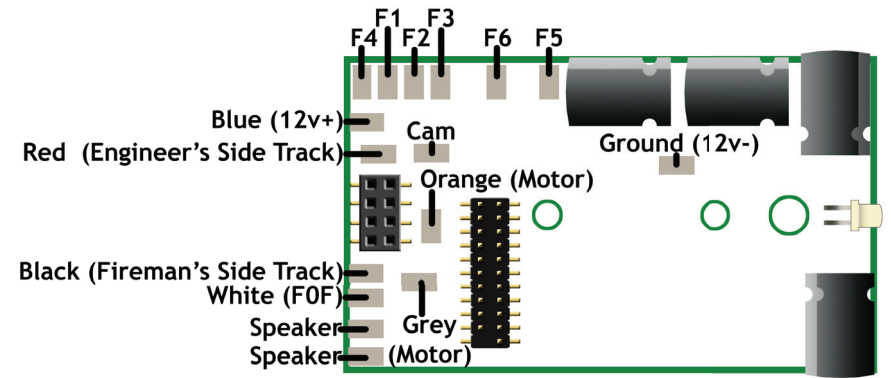
Scale	Pairs well with
HO	WOW121-Steam and EU621

Dimensions 2"x1.19"x.48" or 50.8mm x 30.2mm x 12.2mm

This motherboard is designed to replace the original lighting board in Bachmann steam engines including the 2-8-2. Included on this motherboard is a KA3 Keep-Alive™ for smooth operation over troublesome tracks and a rear LED light. Pair with a WOW121 for unparalleled sound and interruption free performance. Includes onboard resistors for LED's.

NOTE: This product does not function without a 21-pin decoder.

WIRING DIAGRAM



For full installation instruction visit the
http://www.tcsdcc.com/HO_Installs



1546 **B-MB3**

WARRANTY PROCEDURE: All decoders are covered by a one year, goof proof warranty. **Please return in a small box.**

1. You **MUST** register the failed decoder on our website at www.tcsdcc.com. If you do not have access to a computer you **MUST** call to register your warranty at: **(267) 733-3408**
2. Print out a copy of the Warranty Registration and include it in the box with the decoder(s).
3. Return decoder(s) directly to us using the address below.

Compatible with NMRA DCC standards.

Made by **TCS** in the USA.

© Copyright Train Control Systems 2004-2008

Train Control Systems
P.O. Box 341
845 Blooming Glen Rd.
Blooming Glen, PA 18911



Phone **215-453-9145**
Fax **215-257-0735**
Email tcs@tcsdcc.com
Web www.tcsdcc.com

WARRANTY PROCEDURE: All decoders are covered by a one year, goof proof warranty. **Please return in a small box.**

1. You **MUST** register the failed decoder on our website at www.tcsdcc.com. If you do not have access to a computer you **MUST** call to register your warranty at: **(267) 733-3408**
2. Print out a copy of the Warranty Registration and include it in the box with the decoder(s).
3. Return decoder(s) directly to us using the address below.

Compatible with NMRA DCC standards.

Made by **TCS** in the USA.

© Copyright Train Control Systems 2004-2008

Train Control Systems
P.O. Box 341
845 Blooming Glen Rd.
Blooming Glen, PA 18911



Phone **215-453-9145**
Fax **215-257-0735**
Email tcs@tcsdcc.com
Web www.tcsdcc.com