



Our Famous  
GOOF PROOF Warranty



Our Famous  
GOOF PROOF Warranty

1544 **B-MB1**

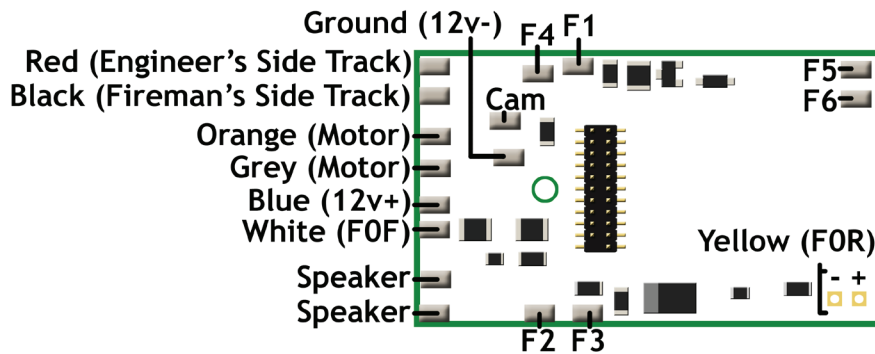
Scale	Pairs well with
HO	WOW121-Steam and EU621

Dimensions 2"x1.19"x.48" or 50.8mm x 30.2mm x 12.2mm

This motherboard is designed to replace the original lighting board in Bachmann steam engines including the light 4-8-2. Included on this motherboard is a KA3 Keep-Alive™ for smooth operation over troublesome tracks. Pair with a WOW121 for unparalleled sound and interruption free performance. Includes onboard resistors for LED's.

NOTE: This product does not function without a 21-pin decoder.

WIRING DIAGRAM



For full installation instruction visit the  
<http://www.tcsdcc.com/HO Installs>

1544 **B-MB1**

1544 **B-MB1**

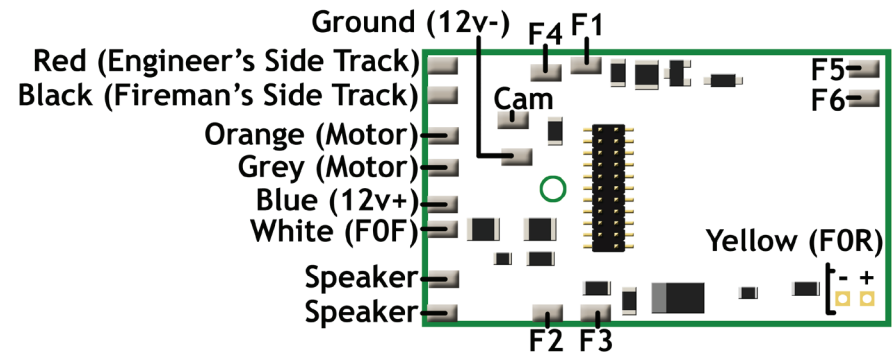
Scale	Pairs well with
HO	WOW121-Steam and EU621

Dimensions 2"x1.19"x.48" or 50.8mm x 30.2mm x 12.2mm

This motherboard is designed to replace the original lighting board in Bachmann steam engines including the light 4-8-2. Included on this motherboard is a KA3 Keep-Alive™ for smooth operation over troublesome tracks. Pair with a WOW121 for unparalleled sound and interruption free performance. Includes onboard resistors for LED's.

NOTE: This product does not function without a 21-pin decoder.

WIRING DIAGRAM



For full installation instruction visit the  
<http://www.tcsdcc.com/HO Installs>

1544 **B-MB1**



**WARRANTY PROCEDURE:** All decoders are covered by a one year, goof proof warranty. **Please return in a small box.**

1. You **MUST** register the failed decoder on our website at [www.tcsdcc.com](http://www.tcsdcc.com). If you do not have access to a computer you **MUST** call to register your warranty at: **(267) 733-3408**
2. Print out a copy of the Warranty Registration and include it in the box with the decoder(s).
3. Return decoder(s) directly to us using the address below.

Compatible with NMRA DCC standards.

Made by **TCS** in the USA.

© Copyright Train Control Systems 2004-2008

**Train Control Systems**  
P.O. Box 341  
845 Blooming Glen Rd.  
Blooming Glen, PA 18911



Phone **215-453-9145**  
Fax **215-257-0735**  
Email [tcs@tcsdcc.com](mailto:tcs@tcsdcc.com)  
Web [www.tcsdcc.com](http://www.tcsdcc.com)

**WARRANTY PROCEDURE:** All decoders are covered by a one year, goof proof warranty. **Please return in a small box.**

1. You **MUST** register the failed decoder on our website at [www.tcsdcc.com](http://www.tcsdcc.com). If you do not have access to a computer you **MUST** call to register your warranty at: **(267) 733-3408**
2. Print out a copy of the Warranty Registration and include it in the box with the decoder(s).
3. Return decoder(s) directly to us using the address below.

Compatible with NMRA DCC standards.

Made by **TCS** in the USA.

© Copyright Train Control Systems 2004-2008

**Train Control Systems**  
P.O. Box 341  
845 Blooming Glen Rd.  
Blooming Glen, PA 18911



Phone **215-453-9145**  
Fax **215-257-0735**  
Email [tcs@tcsdcc.com](mailto:tcs@tcsdcc.com)  
Web [www.tcsdcc.com](http://www.tcsdcc.com)