



## Our Famous GOOF PROOF Warranty

# 1616 GEN-MB1

Scale	Pairs well with
HO	WOW121-Diesel and EU621

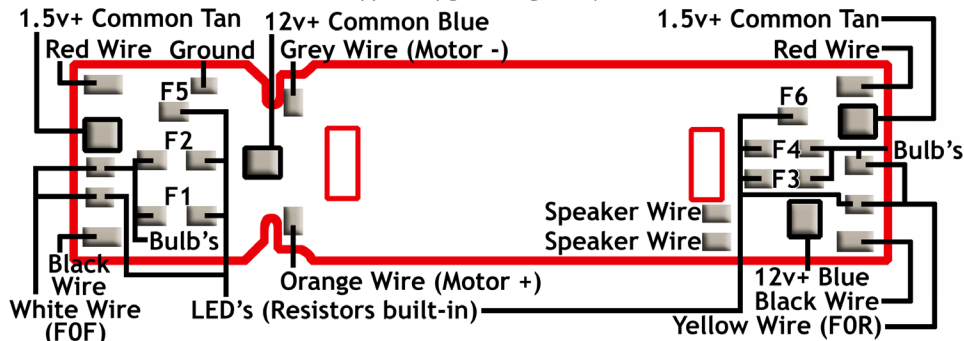
Dimensions 2.85"x0.66"x0.55" or 72mm x 17mm x 13.9mm

This motherboard is designed to replace the original lighting board in Athearn Genesis diesel locomotives. Included on this motherboard is a KA4 Keep-Alive™ for smooth operation over troublesome tracks.

Pair with a WOW121 for unparalleled sound and interruption-free performance.

**NOTE:** This product does not function without a 21-pin decoder.

### WIRING DIAGRAM



For 1.5v Bulbs: Use the bulb pads and the 1.5v+ pad.

For LED's: For functions F0-F4 use the LED pads and the 12v+ pad.  
F5 and F6 are LED only so use their pads and the 12v+ pad.  
Resistors are onboard for F0-F6.

For full installation instruction visit the  
[http://www.tcsdcc.com/HO\\_Installs](http://www.tcsdcc.com/HO_Installs)



# 1616 GEN-MB1



## Our Famous GOOF PROOF Warranty

# 1616 GEN-MB1

Scale	Pairs well with
HO	WOW121-Diesel and EU621

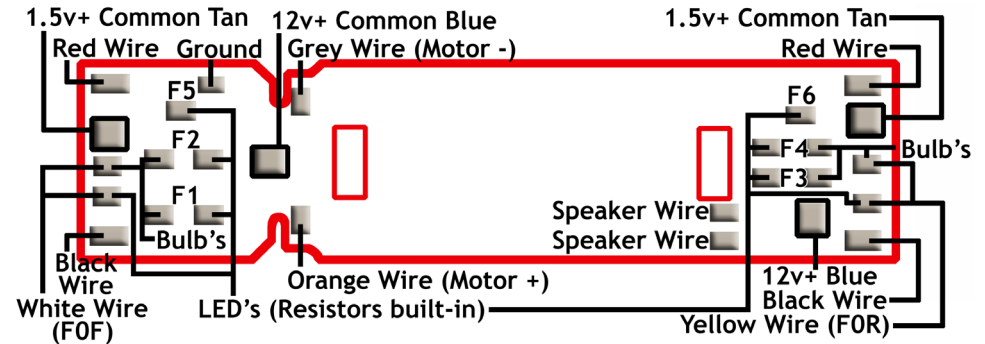
Dimensions 2.85"x0.66"x0.55" or 72mm x 17mm x 13.9mm

This motherboard is designed to replace the original lighting board in Athearn Genesis diesel locomotives. Included on this motherboard is a KA4 Keep-Alive™ for smooth operation over troublesome tracks.

Pair with a WOW121 for unparalleled sound and interruption-free performance.

**NOTE:** This product does not function without a 21-pin decoder.

### WIRING DIAGRAM



For 1.5v Bulbs: Use the bulb pads and the 1.5v+ pad.

For LED's: For functions F0-F4 use the LED pads and the 12v+ pad.  
F5 and F6 are LED only so use their pads and the 12v+ pad.  
Resistors are onboard for F0-F6.

For full installation instruction visit the  
[http://www.tcsdcc.com/HO\\_Installs](http://www.tcsdcc.com/HO_Installs)



# 1616 GEN-MB1

**WARRANTY PROCEDURE:** All decoders are covered by a one year, goof proof, warranty. **Please return in a small box.**

1. You **MUST** register the failed decoder on our website at [www.tcsdcc.com](http://www.tcsdcc.com). If you do not have access to a computer you **MUST** call to register your warranty at: **(267) 733-3408**
2. Print out a copy of the Warranty Registration and include it in the box with the decoder(s).
3. Return decoder(s) directly to us using the address below.

Compatible with NMRA DCC standards.

Made by **TCS** in the USA.

© Copyright Train Control Systems 2004-2008

**Train Control Systems**  
P.O. Box 341  
845 Blooming Glen Rd.  
Blooming Glen, PA 18911



Phone **215-453-9145**  
Fax **215-257-0735**  
Email [tcs@tcsdcc.com](mailto:tcs@tcsdcc.com)  
Web [www.tcsdcc.com](http://www.tcsdcc.com)

**WARRANTY PROCEDURE:** All decoders are covered by a one year, goof proof, warranty. **Please return in a small box.**

1. You **MUST** register the failed decoder on our website at [www.tcsdcc.com](http://www.tcsdcc.com). If you do not have access to a computer you **MUST** call to register your warranty at: **(267) 733-3408**
2. Print out a copy of the Warranty Registration and include it in the box with the decoder(s).
3. Return decoder(s) directly to us using the address below.

Compatible with NMRA DCC standards.

Made by **TCS** in the USA.

© Copyright Train Control Systems 2004-2008

**Train Control Systems**  
P.O. Box 341  
845 Blooming Glen Rd.  
Blooming Glen, PA 18911



Phone **215-453-9145**  
Fax **215-257-0735**  
Email [tcs@tcsdcc.com](mailto:tcs@tcsdcc.com)  
Web [www.tcsdcc.com](http://www.tcsdcc.com)