



### GOOF-PROOF WARRANTY PROCEDURE:

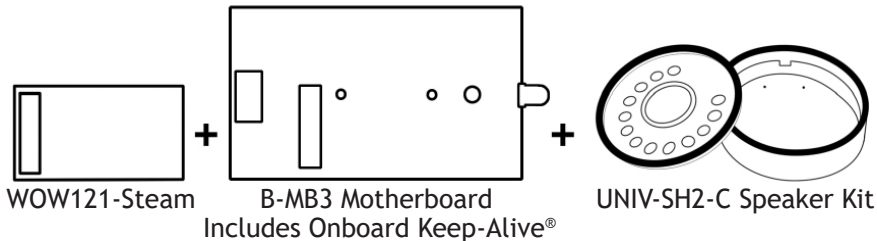
All decoders are covered by a one year, goof proof, warranty.  
 You MUST register the failed decoder on our website at [www.tcsdcc.com](http://www.tcsdcc.com).  
 Follow the instructions on the web site before returning any decoders to TCS.  
 Please return in a small box.

# WOWKits

1902 (WSK-BAC-3)	Scale	Functions	Function Rating	Continuous/Peak
	HO	8	100 mA	1.3 /2.0 Amp

## HO-Scale Bachmann DCC Sound Conversion Kit

Included in this WOWKit:



This WOWKit will fit the following Bachmann engines:

J Class Steam

WOWKits provide everything needed for a complete sound installation. Each WOWKit has been engineered for a perfect fit to provide you with Easy, Clean, Professional results.

- **WOWSound** is the only Load-Based Auto-Notching DCC sound decoder.
- **Audio Assist**® (Patent Pending) for easy configuration of your decoder.
- Now with Chuffinity, the most realistic steam locomotive sound ever produced.



### GOOF-PROOF WARRANTY PROCEDURE:

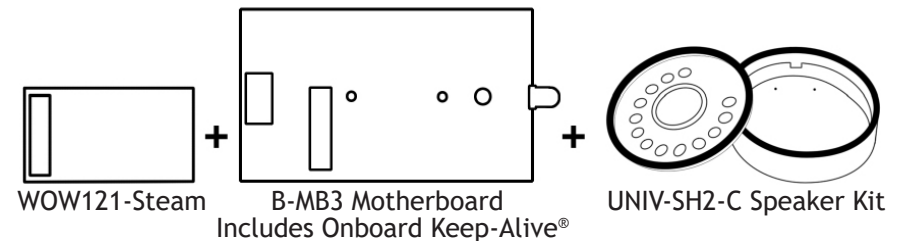
All decoders are covered by a one year, goof proof, warranty.  
 You MUST register the failed decoder on our website at [www.tcsdcc.com](http://www.tcsdcc.com).  
 Follow the instructions on the web site before returning any decoders to TCS.  
 Please return in a small box.

# WOWKits

1902 (WSK-BAC-3)	Scale	Functions	Function Rating	Continuous/Peak
	HO	8	100 mA	1.3 /2.0 Amp

## HO-Scale Bachmann DCC Sound Conversion Kit

Included in this WOWKit:



This WOWKit will fit the following Bachmann engines:

J Class Steam

WOWKits provide everything needed for a complete sound installation. Each WOWKit has been engineered for a perfect fit to provide you with Easy, Clean, Professional results.

- **WOWSound** is the only Load-Based Auto-Notching DCC sound decoder.
- **Audio Assist**® (Patent Pending) for easy configuration of your decoder.
- Now with Chuffinity, the most realistic steam locomotive sound ever produced.



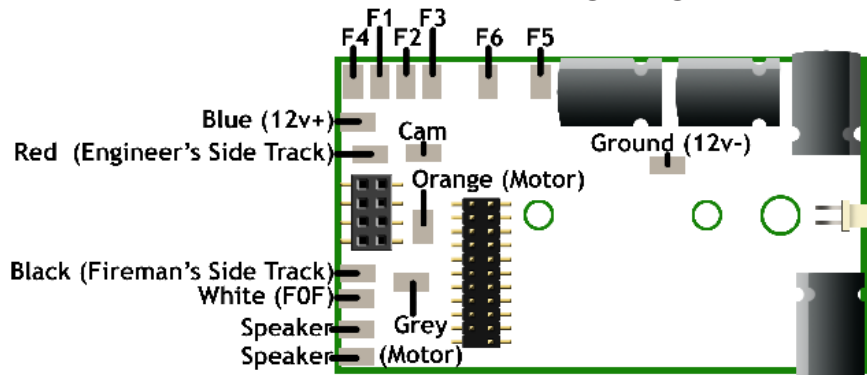
## Default Decoder Button Uses

Function Button	Feature	Function Button	Feature
0	Generator	10	Johnson Bar Down
1	Bell	11	Johnson Bar Up
2	Whistle - Long Toot	12	Injector
3	Whistle - Short Toot	13	Air Pump
4	Whistle - Pre-Recorded Quill	14	Blower
5	Cylinder Cocks	15	Idling Sounds
6	Brake Release	16	Horn
7	Apply Brakes (20% Per Press)	17	Shovelling
8	1x Press: Mute/Unmute 2x Presses: Toggle light & sound mode 4x Presses: Enter <b>Audio Assist</b> ®	18	Blow Down
9	Rotate Whistle/Bell		

## Default Decoder Button Uses

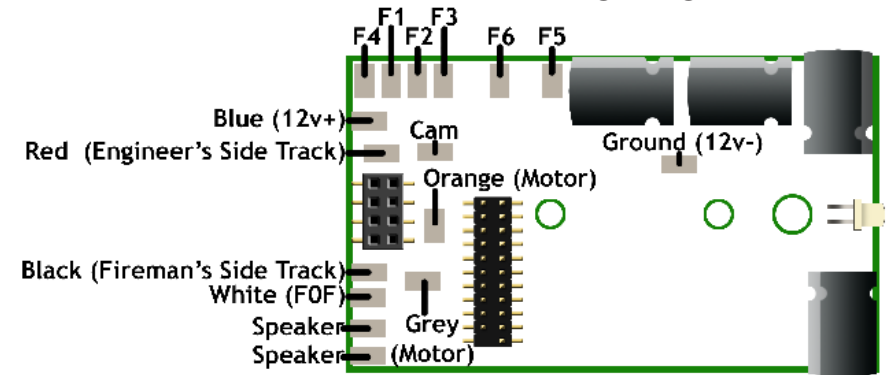
Function Button	Feature	Function Button	Feature
0	Generator	10	Johnson Bar Down
1	Bell	11	Johnson Bar Up
2	Whistle - Long Toot	12	Injector
3	Whistle - Short Toot	13	Air Pump
4	Whistle - Pre-Recorded Quill	14	Blower
5	Cylinder Cocks	15	Idling Sounds
6	Brake Release	16	Horn
7	Apply Brakes (20% Per Press)	17	Shovelling
8	1x Press: Mute/Unmute 2x Presses: Toggle light & sound mode 4x Presses: Enter <b>Audio Assist</b> ®	18	Blow Down
9	Rotate Whistle/Bell		

## B-MB3 Motherboard Wiring Diagram



NOTE: Included on this motherboard is a rear LED light, and onboard resistors for LED's.

## B-MB3 Motherboard Wiring Diagram



NOTE: Included on this motherboard is a rear LED light, and onboard resistors for LED's.

For complete installation images and full documentation visit our website at [www.tcsdcc.com](http://www.tcsdcc.com)

For complete installation images and full documentation visit our website at [www.tcsdcc.com](http://www.tcsdcc.com)